

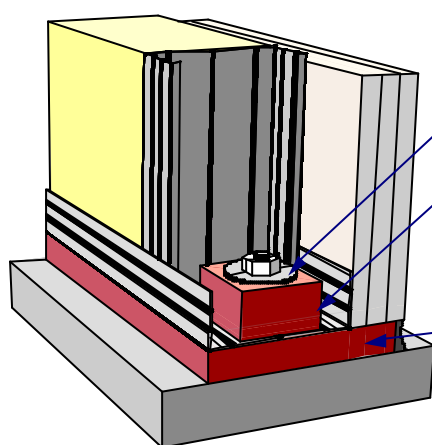
CDM-ISO-STRIP-WALL



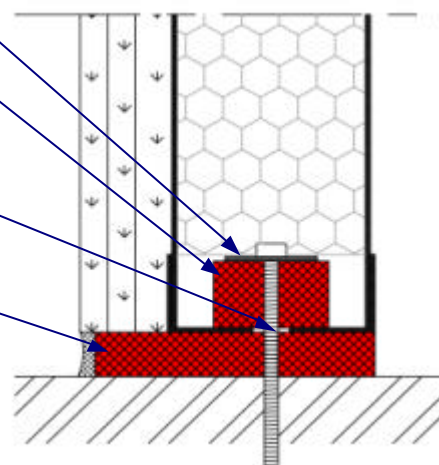
CDM-ISO-STRIP-WALL Plasterboard Wall Base Isolation is designed to acoustically decouple plasterboard walls from the supporting structure hence maximising noise isolation.

It is regularly used to isolate plasterboard walls to create Box-in-Box constructions where the walls are not supported off the floating floor.

Plasterboard Wall Base Isolation

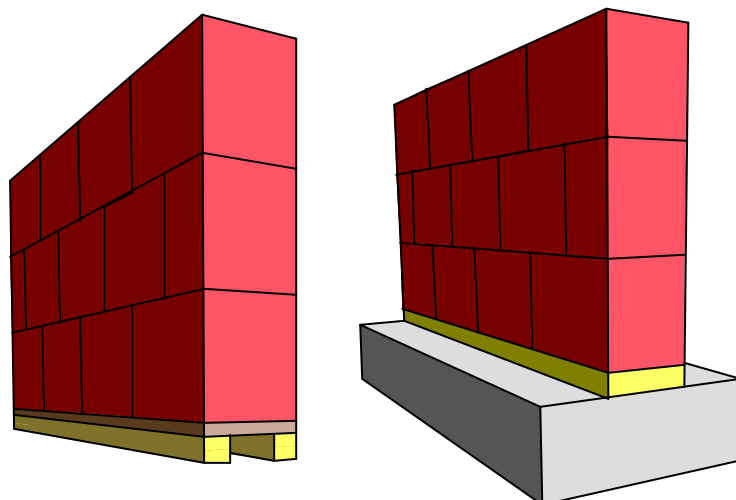


- 40mm diameter steel washer
- 50mm x 50mm x 30mm CDM stabiliser, compressed to 24mm thickness
- Oversize hole in studwork base channel (eg. 16mm hole for 8mm fixing)
- Base isolation strip, dimensions dependant on:
 - total width of base channel and plasterboard
 - wall mass
 - required performance



CROSS SECTION

Wet Wall Base Isolation



CDM-ISO-STRIP-WALL Wet Wall Base Isolation is designed to acoustically decouple block, brick and concrete walls from the supporting structure hence maximising noise and vibration isolation.

Natural frequencies from 10Hz to 50Hz can be obtained with this system.

CDM-ISO-STRIP wall can be manufactured in either one single strip or multiple strips beneath formwork. This allows all types of traditional wet wall constructions to be isolated.

THE SYSTEM IS A CUSTOMISED DESIGN TO SUIT PROJECT SPECIFIC REQUIREMENTS AND CRITERIA

CDM-ISO-WALL

CDM-UK
 PO Box 7035
 Melton Mowbray
 Leics LE13 1WG



T: + 44 (0) 1664 482486
 F: +44 (0) 1664 482487
 E: info@cdm-uk.co.uk
 www.cdm-uk.co.uk