

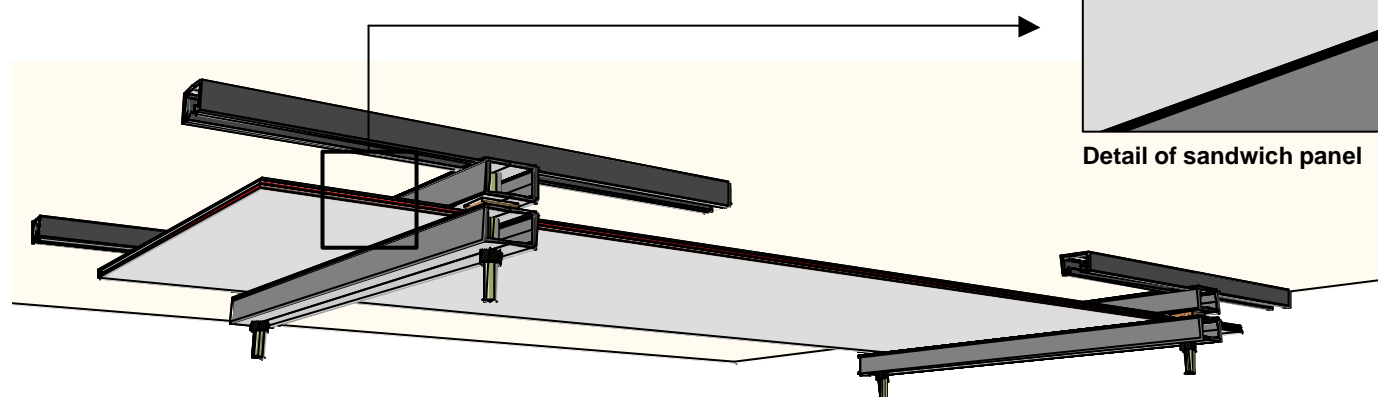
CDM-ABSO-STRUCTURE



Structural Damping System

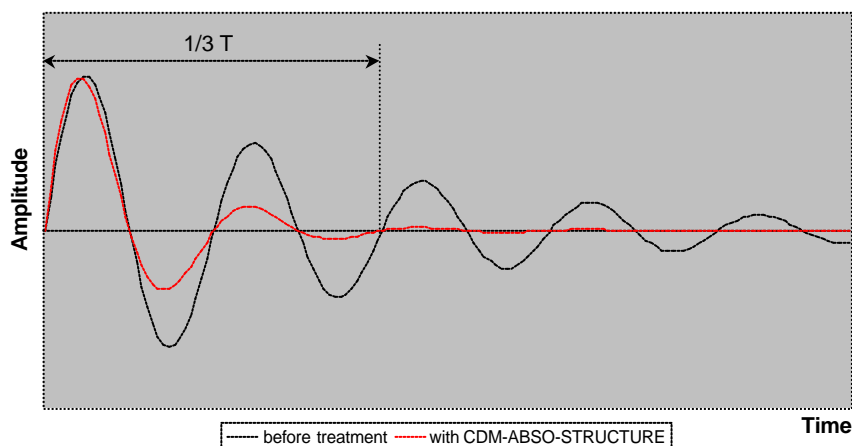
Many structures suffer from perceptible vibration which causes disturbance to the occupants of the buildings in question. The vibration can be caused by flexible slabs or structures that have little damping and amplify the excitation forces making them perceptible.

CDM-ABSO-STRUCTURE is a system that uses both Spot Attachment Damping (SAD) and Constrained Layer Damping (CLD) to reduce the resonant response of the structure thus dramatically improving the disturbance to occupants.



The system is a tuneable SAD device based on a tuneable high-damping CLD sandwich panel, attached (in the middle &) at the underside of the existing vibrating floor or structure. The system can fit into a depth of less than 200mm which means that it can fit into a suspended ceiling.

The system is tuned to the same resonance frequency as the disturbing resonance in the existing structure, usually of the first bending mode, by changing the dimensions.



CDM-ABSO-STRUCTURE has been tested in laboratories and in real applications and has been shown to give 10dB_v to 14dB_v improvements at the offending frequencies (between 10 and 15Hz).

CDM-ISO-BUILDING

CDM-UK
PO Box 7035
Melton Mowbray
Leics LE13 1WG



noise & vibration control

T: + 44 (0) 1664 482486
F: +44 (0) 1664 482487
E: info@cdm-uk.co.uk
www.cdm-uk.co.uk